

OS2 BV

OS2 BV has been designed to manufacture windows and doors that have the same moulding on the inside as well as the outside, maintaining the innovative technology and high-level performance features of OS2 systems. The beveled angled shapes of the sash externally and the glazing bead internally are symmetrical with respect to the glass, perfectly centered on the frame, hence characterizing the frame by giving the external elevation the same depth and aesthetics of the internal one.

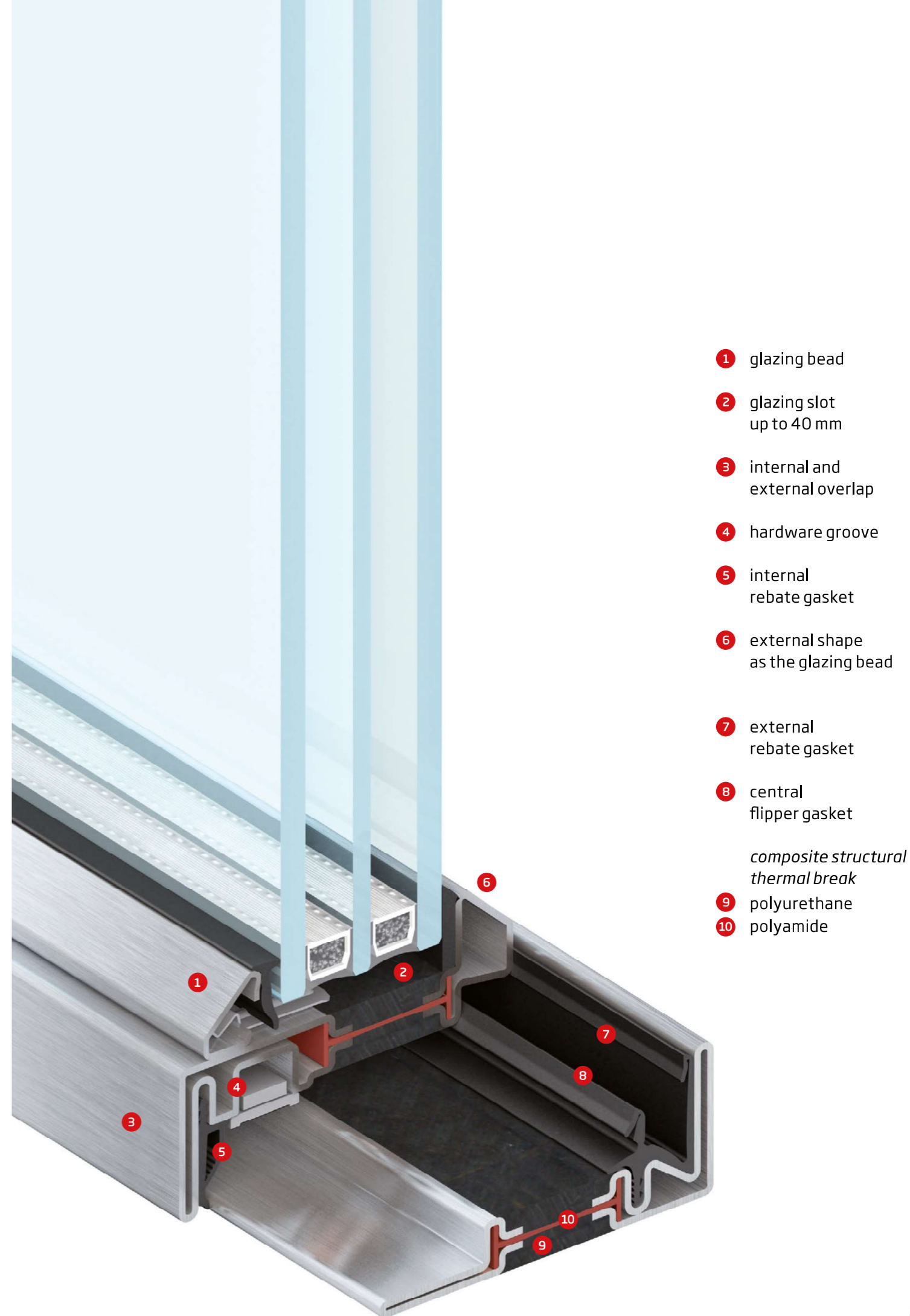


OS2 BV

in the BV variant of OS2 with a symmetrical moulding on the inside and the inside of the frame, the visible sections range from 27 to 62 mm, the thickness varies based on the type of opening, from 70 to 84 mm, with glazing up to 40 mm

maximum achievable performance

| | |
|---|-------------------------|
| wind resistance - test pressure | 5 |
| wind resistance - frame bending | C |
| water tightness | 9A |
| acoustic performance (with R_w per IGU 42dB) | 45 dB |
| thermal transmittance (with U_g glass 0,7 W/m ² K) | 1,04 W/m ² K |
| air permeability | 4 |

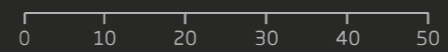




OS2 BV external view corten steel

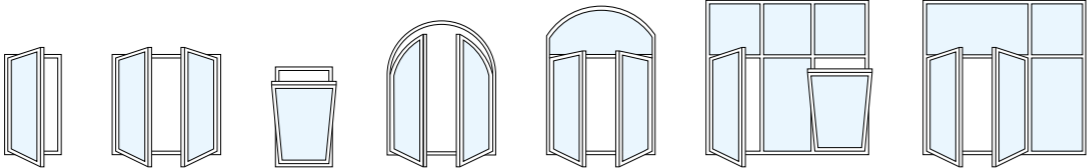


OS2 BV internal view corten steel

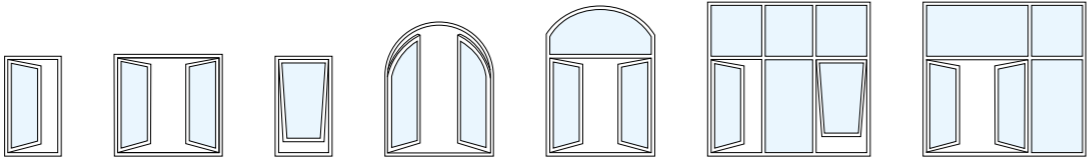


OS2 BV type of opening

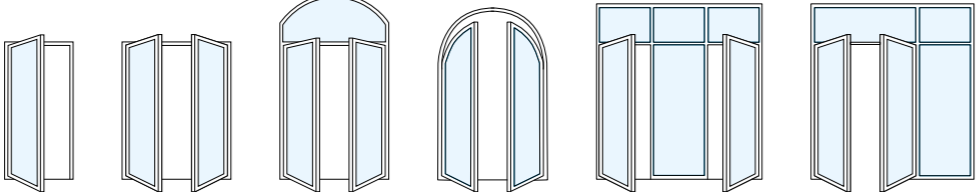
window
inward
opening
tilt & turn
mechanism



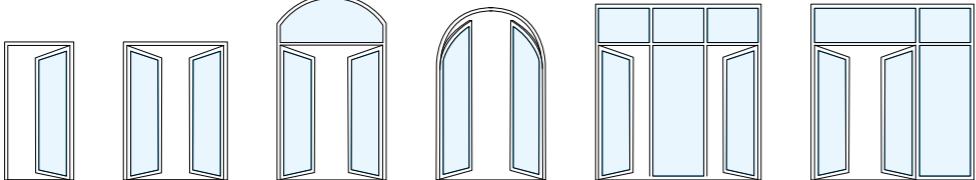
window
outward
opening



door
inward
opening



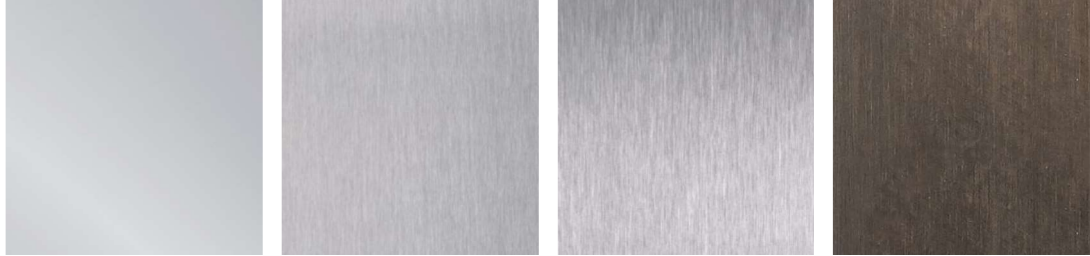
door
outward
opening



technical drawings p 90

OS2 BV materials

stainless steel



polished 316L stainless steel scotch brite 316L stainless steel satin-finished 304 stainless steel blackened 316L stainless steel

galvanised steel



painted galvanised steel

corten steel



oxidised corten steel waxed oxidised corten steel

brass



patinated OT67 brass satin-finished OT67 brass

OS2 BV Kunsthaus Dahlem, Berlin



system OS2 BV

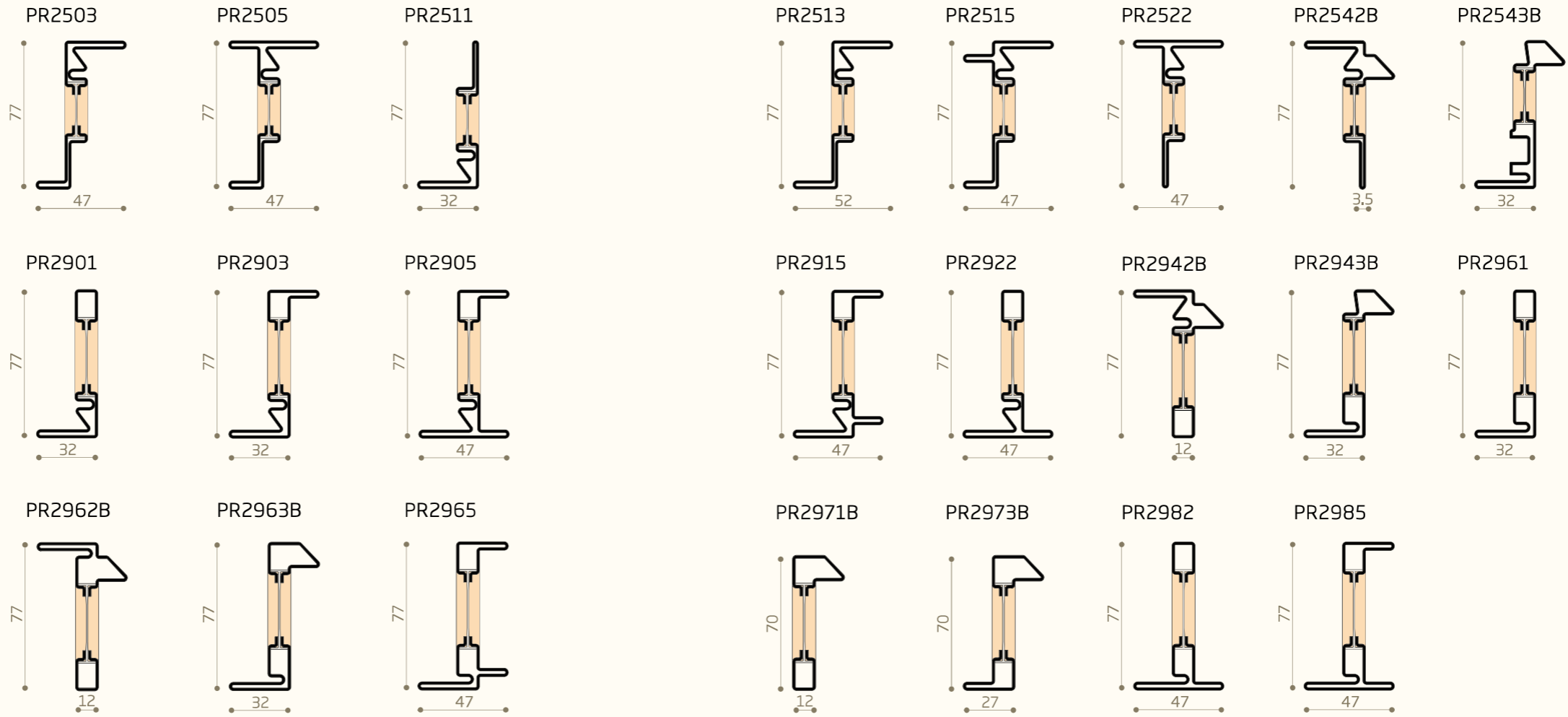
material painted galvanised steel

design Petra and Paul Kahlfeldt

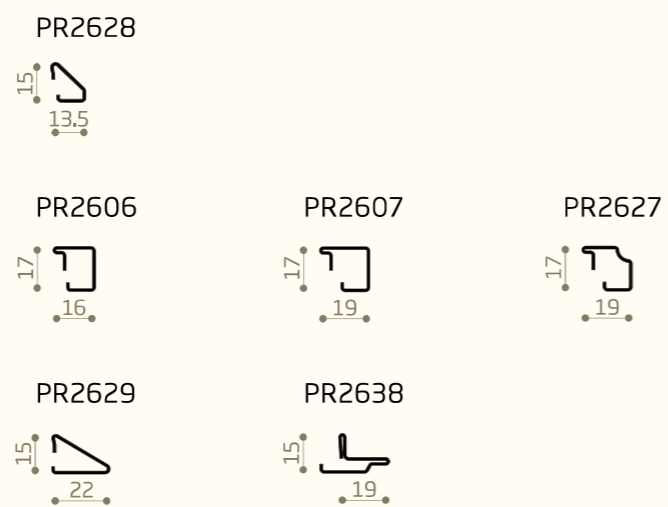
officina Jens Schröter Metallbau GmbH

location Berlin - Germany

profiles

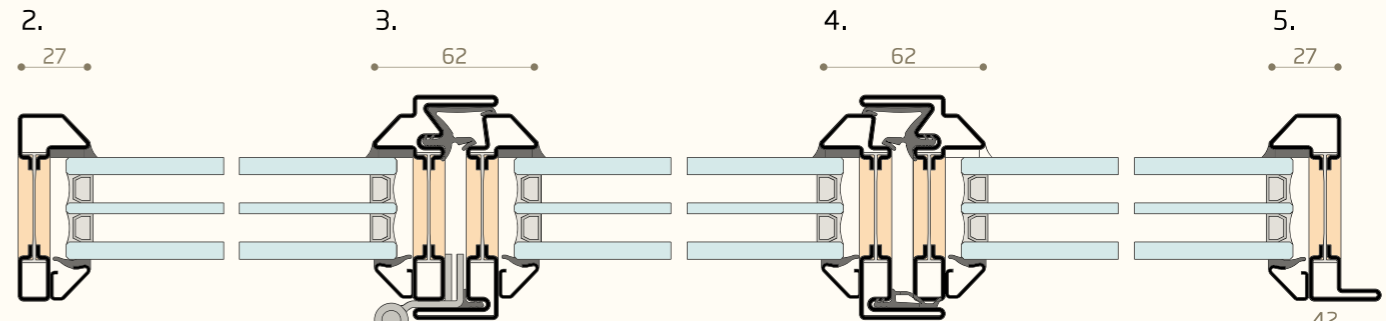
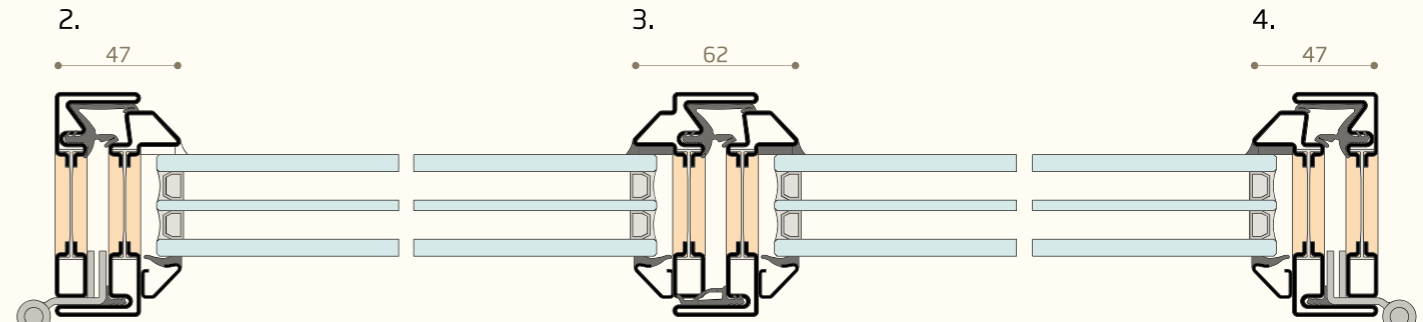
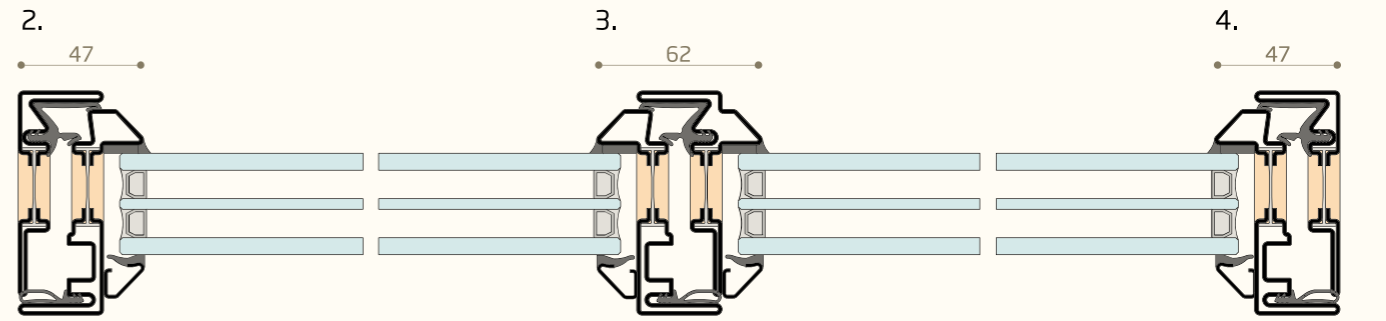
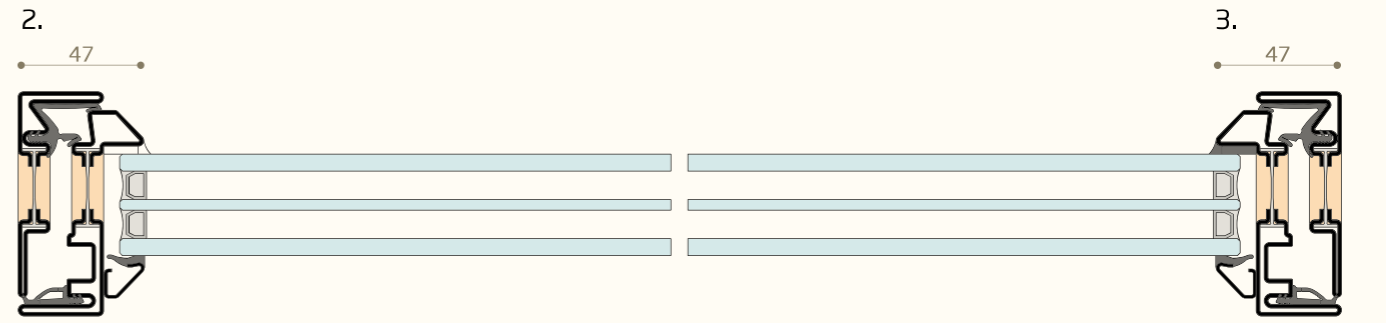
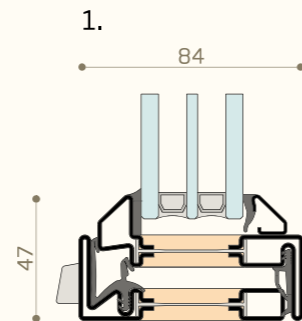
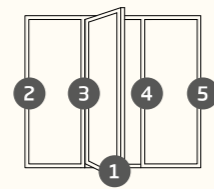
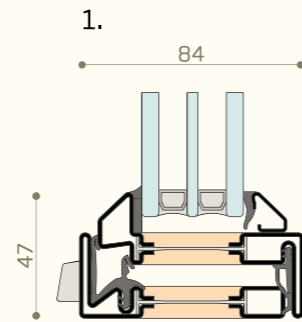
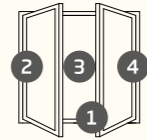
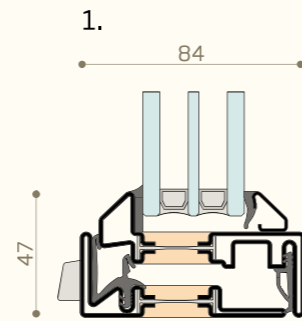
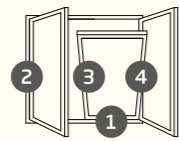
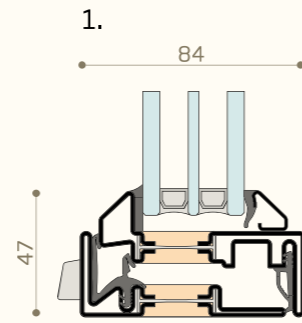
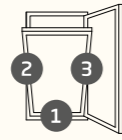


glazing beads



OS2 BV

inward
opening
sections



OS2 BV

outward
opening
sections

